



C

E

G E-5 5-105 C/H/

G

C .,L .



❖ F

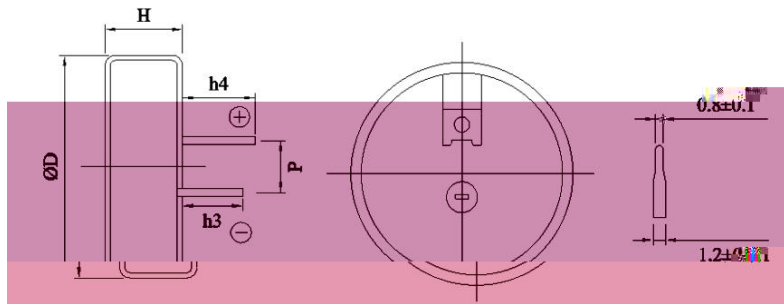
❖ A

❖ G C



I	C

❖ D



: C

:

I	C	I	C

:

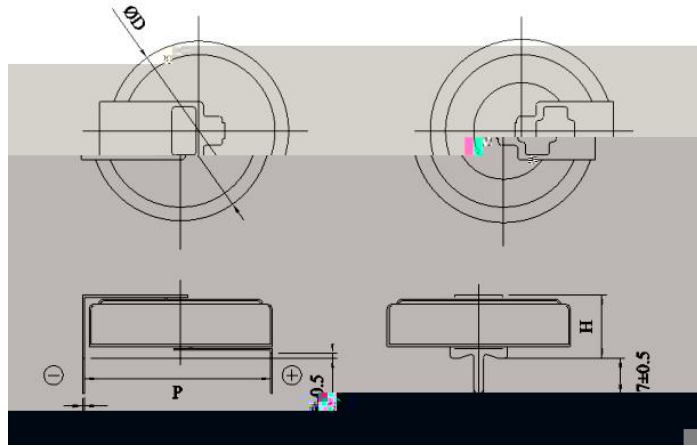
	( )		D	(L H)	



C

E

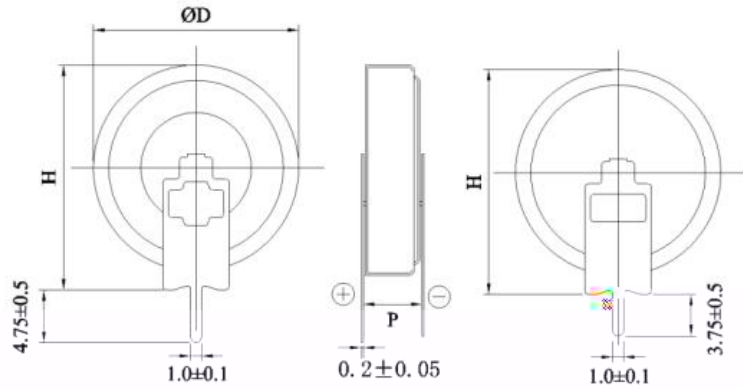
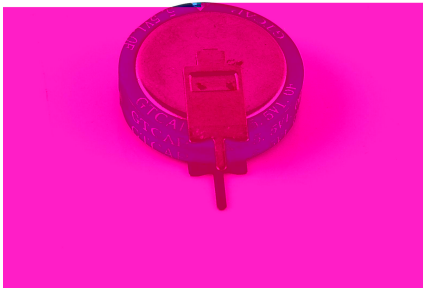
G E-5 5-105 C/H/



: H

I	C	I	C

	( )		D	(L H)	



:

I	C	I	C

	( )		D	(L H)	

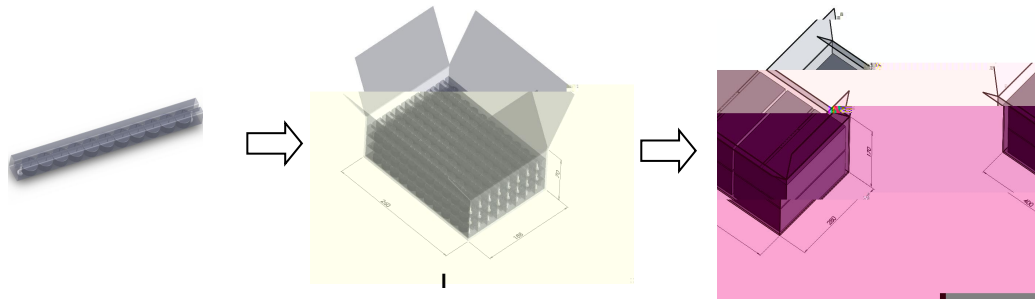


C

E

G E-5 5-105 C/H/

❖



❖ H

G E-5 5-105 C/H/ 1000


\_\_\_\_\_

❖ H

G

1

2A

G