

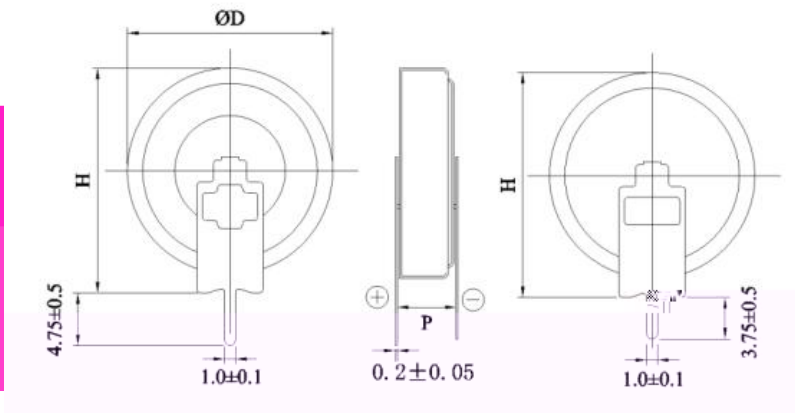
Terminal: H

Size:

Items	Criteria	Items	Criteria

Packing:

Part Number	Quantity (pcs)		Dimension (LxWxH) mm		Total weight



Terminal: V

Size:

Items	Criteria	Items	Criteria

Packing:

Part Number	Quantity (pcs)		Dimension (LxWxH) mm		Total weight

